



- Reduced Wear
- Energy Efficient
- Minimized Maintenance
- Decreased Downtime
- Seamless Integration
- Fully Customizable
- Fully Enclosed Convey Process

The Denseveyor® is a versatile dense phase pneumatic conveying system. It is an ASME Section VIII Div.1 pressure vessel transferring material in a low-velocity and is fully customizable. It provides specific benefits for difficult applications with inherent extreme material characteristics, distances and convey rates. Capable of handling most dry bulk powders, the Denseveyor® provides reliability, energy efficiency, and reduces pipe wear and maintenance downtime. It is easily adapted to suit existing process layouts and equipment footprints.

- Temperature rating up to < 1000°F (537°C)
- Standard pressure rating up to 100psig (7barg). Higher pressure ratings available
- Standard material 516 Gd70 carbon steel
- Available in 304/316 stainless steel, aluminum, galvanized, and others
- Food grade, FDA, and pharmaceutical finishes and coatings
- Industrial coatings such as Teflon®, tungsten carbide, nickel, and others
- Fully assembled and tested prior to shipment
- Global customer support for service and spare parts
- Manufactured in Maryville, TN USA
- ISO 9001:2015 Certified

UK – Mactenn Systems, Ltd.

India – Macawber Engineering Systems India, Ltd. Pvt.

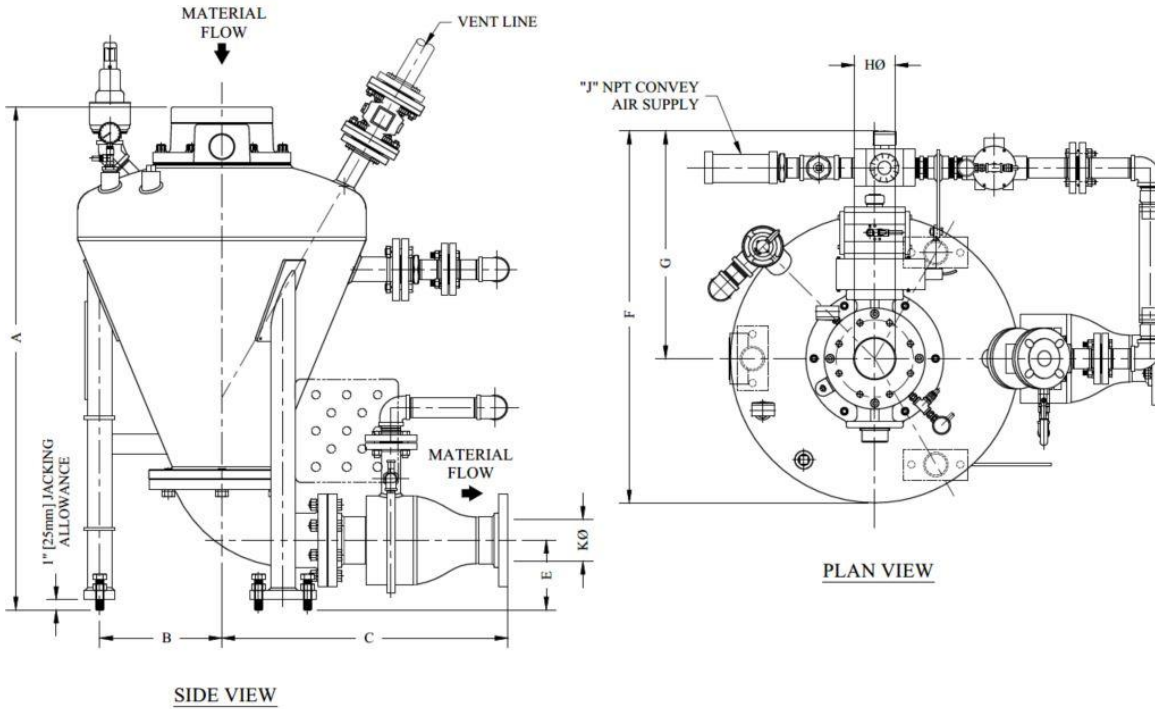
China – Macawber China

# Macawber Engineering, Inc



Advanced Pneumatic Conveying Systems  
Controlled Injection Systems  
Inflatable Seat Valve  
Process Engineering

ISO 9001 Registered | ASME Certified



MODEL	DIMENSIONS (INCH)									NET WT (LBS)
	A	B	C	E	F	G	H	J	K	
2/4-2	32-7/16"	8-5/8"	27-13/16"	6-3/8"	32-13/16"	20-9/16"	4"	1-1/2"	2"	610
3/8-3	43 15/16"	10 1/4"	27 5/8"	7 7/16"	61 9/16"	24 9/16"	7 15/16"	2"	3"	980
4/4-4	48-3/4"	11-7/8"	27-13/16"	6-3/4"	36-1/16"	22-1/16"	4"	2"	4"	707
4/8-4	50-9/16"	11-7/8"	27-13/16"	6-3/4"	36-1/16"	22-1/16"	8"	2"	4"	1000
8/8-5	59-1/8"	14-3/16"	29-7/8"	9-9/16"	41-1/8"	24-1/8"	8"	2"	5"	1300
12/8-6	66-5/8"	16-1/8"	29-5/8"	7-3/4"	46-1/16"	26-1/16"	8"	2-1/2"	6"	1560
12/12-6	68-13/16"	16-1/8"	29-5/8"	7-3/4"	47-1/2"	27-1/2"	12"	2-1/2"	6"	1774
20/12-8	80-7/16"	18-11/16"	37-1/16"	9"	53-3/4"	29-7/8"	12"	2-1/2"	8"	1910
30/12-10	87-13/16"	23"	44-13/16"	10-1/4"	60-9/16"	33-9/16"	12"	2-1/2"	10"	2850
50/12-8	127 5/16"	23 15/16"	44 7/8"	13 1/4"	64 7/8"	34 7/8"	12"	2-1/2"	8"	3110
50/12-12	116-3/8"	18-3/4"	19-3/4"	13-1/4"	63-1/4"	30-3/4"	12"	4"	12"	4450
80/16-12	144-7/8"	18-3/4"	19-1/2"	12"	63-1/4"	30-3/4"	16"	4"	12"	5400
95/16-12	166-1/2"	18-3/4"	19-3/4"	13-1/4"	72-3/4"	35-3/8"	16"	5"	12"	6900
120/16-12	187-3/8"	18-3/4"	19-3/4"	13-1/4"	88-1/2"	43"	16"	6"	12"	8500

## INFORMATION NOT CERTIFIED FOR INSTALLATION PURPOSES

UK – Mactenn Systems, Ltd.

India – Macawber Engineering Systems India, Ltd. Pvt.

China – Macawber China

www.macawber.com  
sales@macawber.com

1829 Clydesdale Street,  
Maryville, TN 37801 USA

Phone: +1 (865) 984-5286  
Fax: +1 (865) 977-4131

Equipment Specification | DENSEVEYOR® 1-01