



Extremely low material degradation

Energy Efficient

Minimized Maintenance

Decreased Downtime

Seamless Integration

Fully Customizable

Fully Enclosed Convey Process

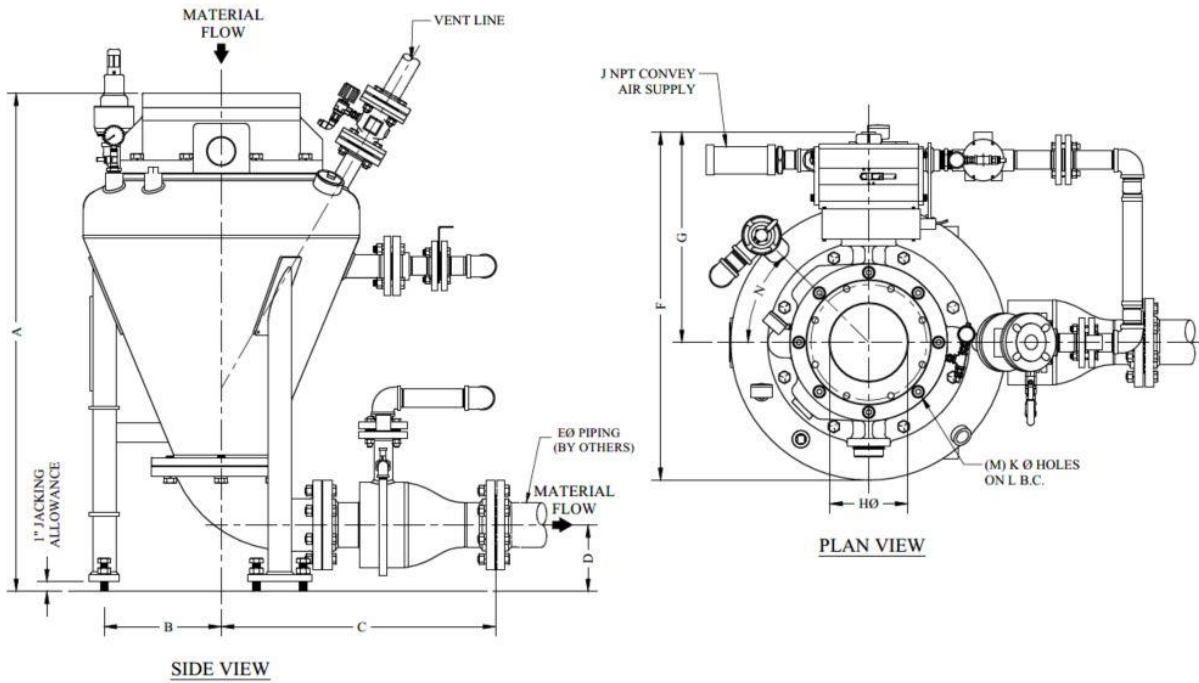
The SuperDenseveyor is specially designed to handle fragile materials such as peanuts with virtually no material degradation. The pipeline is almost completely full of material and conveyed in very low velocities of less than 3ft per second. This method is associated with very low air consumption requirements. The system does not require boosters along the pipeline, and it is further designed for little or no maintenance with simple operations and controls.

- Temperature rating up to < 1000°F (537°C)
- Standard pressure rating up to 100psig (7barg). Higher pressure ratings available
- Standard material 516 Gd70 carbon steel
- Available in 304/316 stainless steel, aluminum, galvanized, and others
- Food grade, FDA, and pharmaceutical finishes and coatings
- Industrial coatings such as Teflon®, tungsten carbide, nickel, and others
- Fully assembled and tested prior to shipment
- Manufactured in Maryville, TN USA
- Global customer support for service and spare parts
- ISO 9001:2015 Certified

UK – Mactenn Systems, Ltd.

India – Macawber Engineering Systems India, Ltd. Pvt.

China – Macawber China



MODEL	DIMENSIONS (INCH)													NET WT (LBS)
	A	B	C	D	E	F	G	H	J	K	L	M	N	
4/8-4	53 3/4"	11 7/8"	39 13/16"	9 15/16"	4"	36 1/16"	22 1/16"	7 7/8"	2" FNTP	3/4"	11 3/4"	8	45	1415
8/8-5	62 3/8"	14 3/16"	48 11/16"	12 13/16"	5"	41 1/8"	24 1/8"	7 7/8"	2" FNPT	3/4"	11 3/4"	8	45	1800
12/12-6	73 3/4"	16 1/8"	44 13/16"	12 11/16"	6"	47 1/2"	27 1/2"	11 13/16"	2 1/2" FNPT	7/8"	17"	12	15	1774
20/12-8	84 15/16"	18 11/16"	54 1/4"	13 7/16"	8"	53 3/4"	29 7/8"	11 13/16"	2 1/2" FNPT	7/8"	17"	12	15	1910
30/12-10	93"	23"	65 9/16"	15 7/16"	10"	60 9/16"	33 9/16"	11 13/16"	2 1/2" FNPT	7/8"	17"	12	15	2850
50/12-10	117 11/16"	23 15/16"	65 9/16"	14 7/16"	8"	69 1/4"	39 1/4"	11 13/16"	3" FNPT	7/8"	17"	12	15	3110

INFORMATION NOT CERTIFIED FOR INSTALLATION PURPOSES

UK – Mactenn Systems, Ltd.
 India – Macawber Engineering Systems India, Ltd. Pvt.
 China – Macawber China