



Reduced Wear  
Energy Efficient  
Minimized Maintenance  
Decreased Downtime  
Seamless Integration  
Fully Customizable  
Fully Enclosed Convey Process  
Low Profile

The Sandpump® is a low velocity dense phase pneumatic conveying system specifically designed for the foundry industry for the purpose of conveying sand, silica sand, reclaimed silica sand, and ceramic beads commonly found in the casting and foundry industries. Compact in design and low-profile, the Sandpump® has the ability to be positioned below shakeout tables and reclaimers for a seamless integration into existing process layouts. Fitted with our robust Dome Valve® its unique design provides efficiencies in wear reduction, air consumption, and reduce maintenance downtime.

- Temperature rating up to < 1000°F (537°C)
- Standard pressure rating up to 100psig (7barg). Higher pressure ratings available.
- Standard material 516 Gd70 carbon steel
- Available in 304/316 stainless steel, aluminum, galvanized, and others
- Industrial coatings such as Teflon®, tungsten carbide, nickel, and others
- Fully assembled and tested prior to shipment
- Global customer support for service and spare parts
- Manufactured in Maryville, TN USA
- ISO 9001:2015 Quality Assured

UK – Mactenn Systems, Ltd.

India – Macawber Engineering Systems India, Ltd. Pvt.

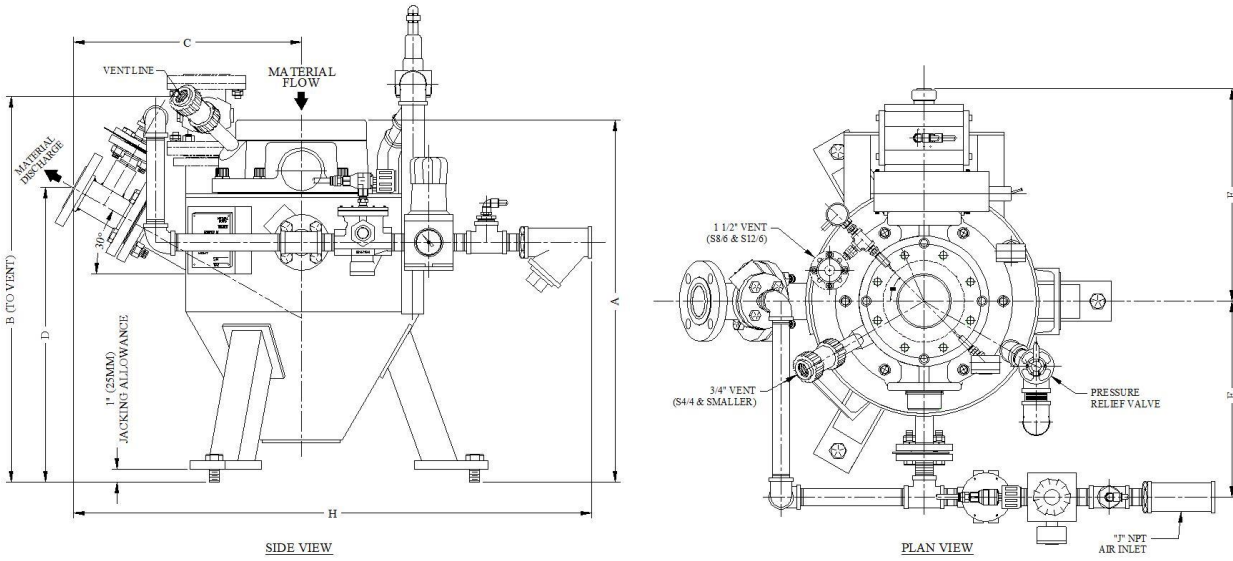
China – Macawber China

# Macawber Engineering, Inc



Advanced Pneumatic Conveying Systems  
Controlled Injection Systems  
Inflatable Seat Valve  
Process Engineering

ISO 9001 Registered | ASME Certified



MODEL	DIMENSIONS (INCH)										NET WT (LBS)
	A	B	C	D	E	F	G	H	J	K	
S.2/4-2	27-1/16"	30 5/8"	17"	22-1/16"	16"	14-5/8"	4"	36-3/4"	1-1/2"	2"	318
S.3/4-3	34-3/16"	37 3/4"	20-3/16"	26-3/16"	15-15/16"	16-1/4"	4"	41-15/16"	1-1/2"	3"	417
S.4/4-4	40-1/8"	43 11/16"	23-5/16"	32"	16-7/8"	18-3/8"	4"	42-5/8"	1-1/2"	4"	610
S.8/6-5	46 7/16"	49-11/16"	28-3/8"	37-1/8"	20-1/16"	21-9/16"	6"	54-1/2"	2"	5"	925
S.12/6-6	57-15/16"	61-3/16"	28-9/16"	38-3/4"	20-1/2"	22-3/16"	6"	54-11/16"	2"	6"	945

**INFORMATION NOT CERTIFIED FOR INSTALLATION PURPOSES**

UK – Mactenn Systems, Ltd.  
India – Macawber Engineering Systems India, Ltd. Pvt.  
China – Macawber China

www.macawber.com  
sales@macawber.com

1829 Clydesdale Street,  
Maryville, TN 37801 USA

Phone: +1 (865) 984-5286  
Fax: +1 (865) 977-4131

Equipment Specification | SANDPUMP® 1-04