



High Tonnage Rate Conveying

Long Distance Conveying

Extreme Reliability for Severe Applications

Minimal Maintenance

Decreased Downtime

Seamless Integration

Fully Customizable

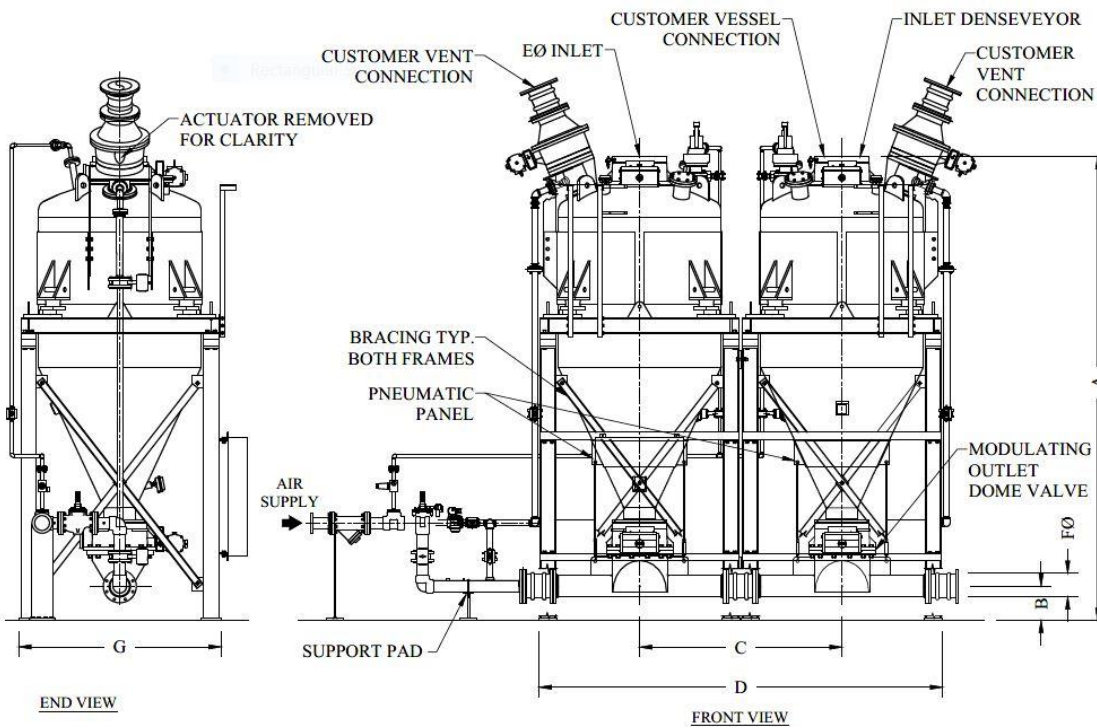
The Macpump® is an arrangement of two pressure vessels working in an automated and phased sequence to provide a continuous transfer of material such as cement, with high pipeline loading for high tonnage rate applications in long conveying distances up to 3000 ft. Our robust proprietary Dome Valve® is used throughout the system for material inlet, discharge, and vessel venting. In addition, the discharge valve opening size is continuously modulating in response to pipeline back-pressure to achieve the highest possible conveying efficiency. The Macpump® is for instance, applied to mineral transfer applications where distance and tonnage rate requirements are high.

- Temperature rating up to < 1000°F (537°C)
- Standard pressure rating up to 100psig (7barg). Higher pressure ratings available
- Standard material 516 Gd70 carbon steel
- Available in 304/316 stainless steel, aluminum, galvanized, and others
- Food grade, FDA, and pharmaceutical finishes and coatings
- Industrial coatings such as Teflon®, tungsten carbide, nickel, and others
- Fully assembled and tested prior to shipment
- Manufactured in Maryville, TN USA
- Global customer support for service and spare parts
- ISO 9001:2015 Quality Assured

UK – Mactenn Systems, Ltd.

India – Macawber Engineering Systems India, Ltd. Pvt.

China – Macawber China



MODEL	DIMENSIONS (INCH)							NET WT (LBS)
	A	B	C	D	E	F	G	
T/100/12	161 7/16"	15 3/4'	72 13/16"	155 1/2"	11 13/16"	5 7/8"	77 9/16"	11244
T/150/12	188 7/8"	13 7/8"	82 5/16"	163 15/16"	10"	12"	82 1/4"	12126
T/200/12	208 5/8"	17 11/16"	84 5/8"	179 1/8"	11 13/16"	7 7/8"	84 5/8"	13008
T/200/16	208 5/8"	17 11/16"	84 5/8"	179 1/8"	15 3/4	9 13/16"	89 3/4"	14066
T/300/16	248 1/16"	17 11/16"	84 5/8"	179 1/8"	15 3/4"	9 13/16"	97 7/16"	14496
T/400/12	2696 7/8"	19 11/16"	98 7/16"	192 15/16"	19 11/16"	11 13/16"	102 3/8"	15640

INFORMATION NOT CERTIFIED FOR INSTALLATION PURPOSES

UK – Mactenn Systems, Ltd.
 India – Macawber Engineering Systems India, Ltd. Pvt.
 China – Macawber China