

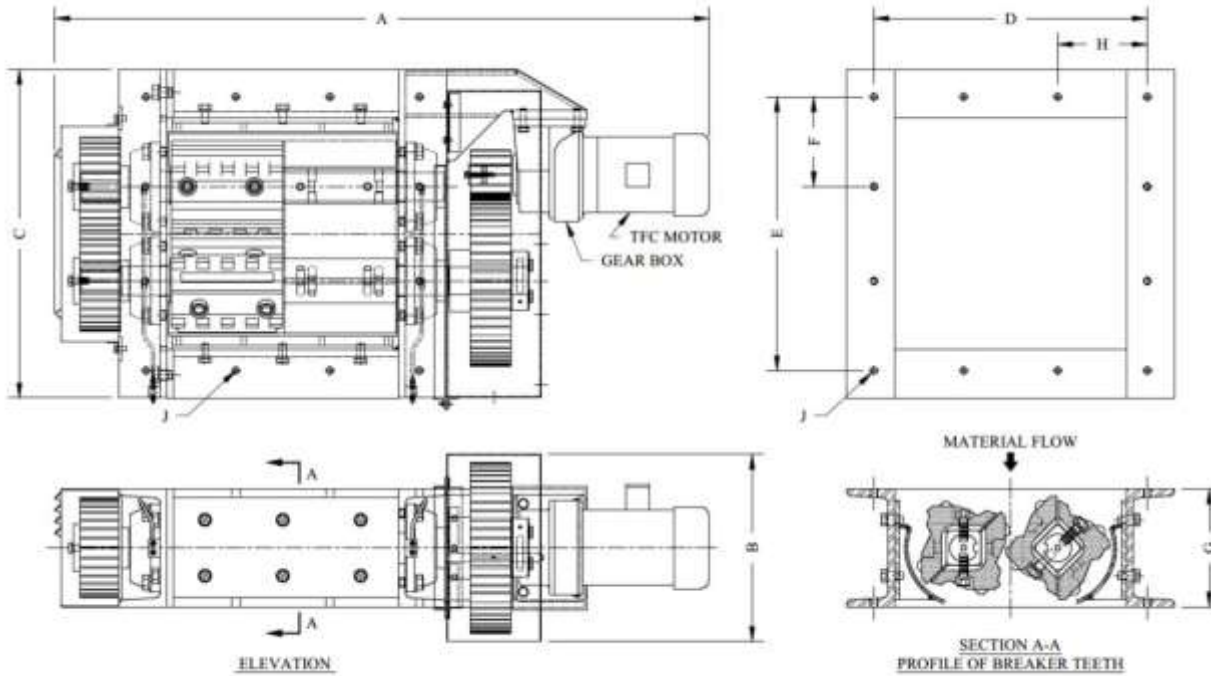


- Reduced Wear
- Energy Efficient
- Minimized Maintenance
- Decreased Downtime
- Seamless Integration
- Fully Customizable

The Ash Breaker is a purpose designed lump breaker and feeder prepared for the reduction of large lump material (up to 750mm) to less than 40mm in size, suitable for conveying through the Densveyor® and Ashveyor® dense phase pneumatic conveying systems. The breaker has been designed as standard with a special capability to handle materials up to 650° C. The breaking action is achieved by means of two inwardly rotating breaker wheels manufactured with cast ni-hard breaking teeth which may be replaced without disassembly of the crusher unit. With minor modification to the crusher, the unit is suitable for size reduction of coal and other materials.

- ISO 9001:2015 Certified
- Temperature rating up to < 1000°F (537°C)
- Pressure rating up to 100psig (7barg)
- Standard material 516 Gd70 carbon steel
- Fully assembled and tested prior to shipment
- Global customer support for service and spare parts
- Manufactured in Maryville, TN USA

UK – Macawber UK Ltd.  
India – Macawber Engineering Systems India, Ltd. Pvt.



MODEL	DIMENSIONS (INCH)									NET WT (LBS)
	A	B	C	D	E	F	G	H	J	
500	55 5/8"	15 7/8"	27 7/8"	23 1/4"	23 1/4"	7 5/8"	10"	7 5/8"	5/8"	1300
750	78 1/4"	15"	36 15/16"	34"	34"	8 1/2"	15"	8 1/2"	5/8"	1550

**INFORMATION NOT CERTIFIED FOR INSTALLATION PURPOSES**

UK – Macawber UK Ltd.  
 India – Macawber Engineering Systems India, Ltd. Pvt.