

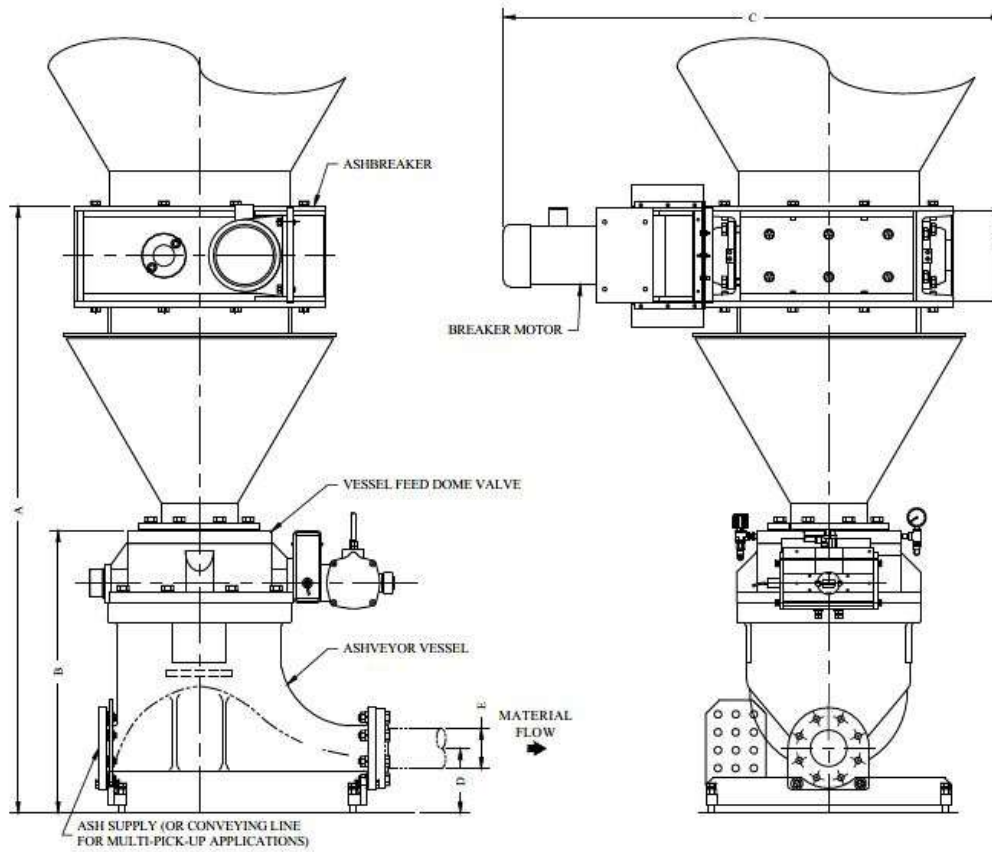


Reduced Wear
 Energy Efficient
 Minimized Maintenance
 Decreased Downtime
 Seamless Integration
 Fully Customizable
 Fully Enclosed Convey Process

The Ashveyor® and Ash Breaker Assembly was developed for the special need to convey hot bottom ash from a wide range of boiler stoker designs when the ash pit is not exposed to the radiant heat of the combustion process. The assembly is designed to reduce ash clinkers of 20" to approximately 1" and capable of handling clinkers at 650°F. The arrangement comprises a double row Ash Breaker of chrome iron segments operating at low speed. The operation includes an overload auto reversing drive to overcome foreign materials. Breaker operation is occasional in response to special high temperature laser probe signals in the ash chamber above. The crushed clinkers fall through a high temperature, water cooled Dome Valve® for dense phase conveying by the Ashveyor® to a clinker storage hopper.

- Standard temperature rating up to 650°F.
- Pressure rating up to 100psig (7barg)
- Standard material A278 cast iron
- Available in 304/316 stainless steel
- Industrial coatings such as Teflon®, tungsten carbide, nickel, and others
- Elastomer options neoprene, silicone, Viton and others
- Not required: vent valve, discharge valve, air inlet valve, or level probe
- Fully assembled and tested prior to shipment
- Manufactured in Maryville, TN USA
- Global customer support for service and spare parts
- ISO 9001:2015 Certified

UK – Macawber UK Ltd.
 India – Macawber Engineering Systems India, Ltd. Pvt.



MODEL	DIMENSIONS (INCH)						NET WT (LBS)
	A	B	C	D	E	F	
1.5/8-4	67 11/16"	31 9/16"	55 5/8"	7 1/4"	4"	19 11/16" x 19 11/16"	1904
3.0/8-5	73 11/16"	37 1/2"	55 5/8"	9 3/16"	5"	OR 29 1/2" x 29 1/2"	2160

INFORMATION NOT CERTIFIED FOR INSTALLATION PURPOSES

UK – Macawber UK Ltd.
 India – Macawber Engineering Systems India, Ltd. Pvt.