

Reduced Wear  
Minimized Maintenance  
Decreased Downtime  
Seamless Integration  
Fully Customizable  
Fully Enclosed Convey Process

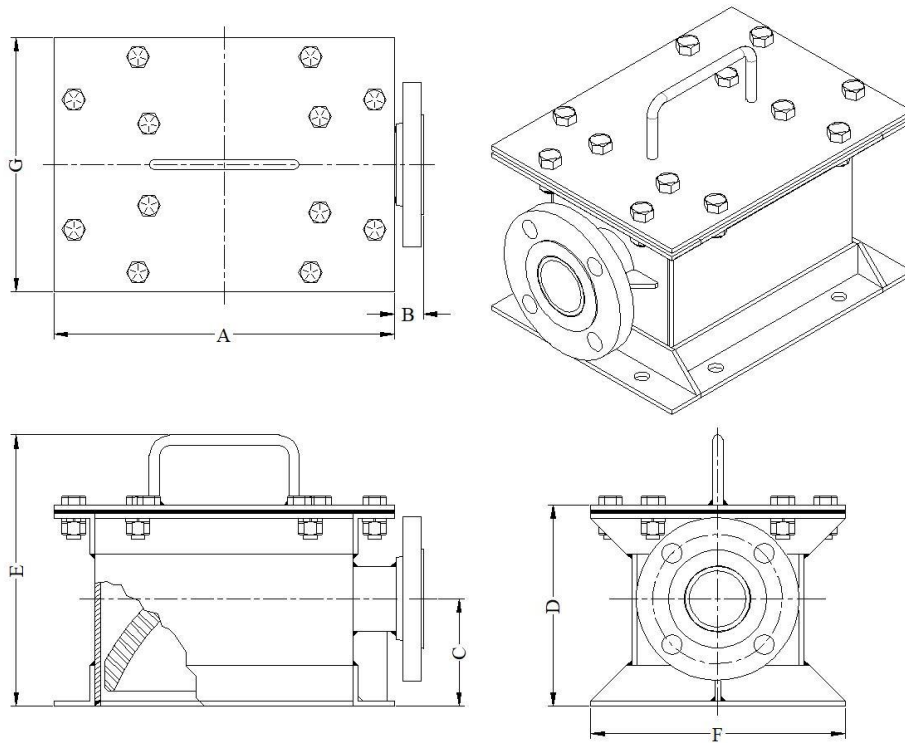
The Terminal Box is a very efficient method of terminating material into the final reception location in a dense phase pneumatic conveying process. Mounted to the top of the reception bin or silo, the rectangular casing of the Terminal Box houses a ni-hard deflector plate to direct the material below. The Terminal Box is sized to match the convey pipeline diameter, and it is connected with a standard #150 ANSI flange pattern. The removable lid allows easy maintenance access to the deflector plate.

- Standard material A516Gd70 carbon steel
- Available in 304/316 stainless steel, aluminum, galvanized, and others
- Food grade, FDA, and pharmaceutical finishes
- Industrial coatings such as Teflon®, tungsten carbide, nickel, and others
- Fully assembled and tested prior to shipment
- Manufactured in Maryville, TN USA
- Global customer support for service and spare parts
- ISO 9001:2018 Quality Assured

UK – Mactenn Systems, Ltd.

India – Macawber Engineering Systems India, Ltd. Pvt.

China – Macawber China



PIPE SIZE	DIMENSIONS (INCH)							NET WT (LBS)
	A	B	C	D	E	F	G	
2"	12-7/16"	1-1/16"	3-15/16"	7-3/8"	9-15/16"	9-5/16"	9-5/16"	58
3"	15-3/4"	1-1/8"	4-13/16"	9-1/16"	11-9/16"	12-3/8"	12-3/8"	117
4"	15-3/4"	1-7/8"	5"	9-1/16"	11-9/16"	12-3/8"	12-3/8"	123
5"	19-5/8"	1-1/4"	6"	11-1/2"	14"	13-11/16"	13-11/16"	194
6"	28-3/8"	1-11/16"	8-3/16"	14"	17-3/16"	18-5/16"	18-9/16"	344
8"	30-1/2"	1-1/2"	9-1/16"	16-5/16"	19-5/8"	19-1/4"	19-1/2"	389
10"	32-11/16"	3-1/2"	9-1/4"	17-13/16"	21-3/16"	24-13/16"	24-13/16"	443
12"	45-13/16"	2-11/16"	13-9/16"	23-3/4"	27-5/16"	29-11/16"	29-11/16"	510

**INFORMATION NOT CERTIFIED FOR INSTALLATION PURPOSES**

UK – Mactenn Systems, Ltd.  
India – Macawber Engineering Systems India, Ltd. Pvt.  
China – Macawber China