

Reduced Wear
Minimized Maintenance
Decreased Downtime
Seamless Integration
Fully Customizable
Fully Enclosed Convey Process

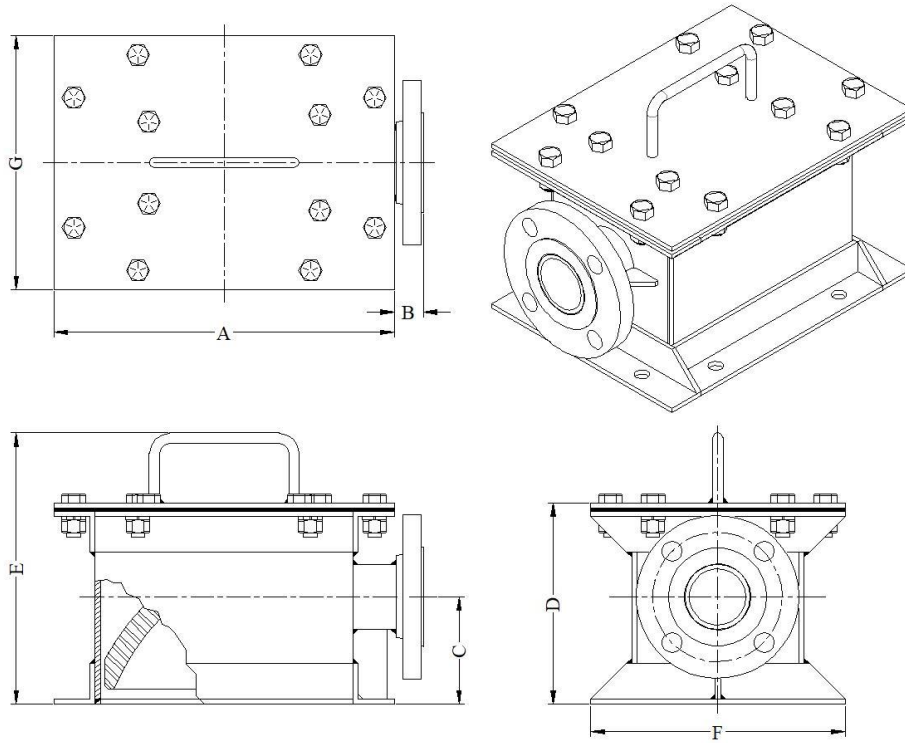
The Terminal Box is a very efficient method of terminating material into the final reception location in a dense phase pneumatic conveying process. Mounted to the top of the reception bin or silo, the rectangular casing of the Terminal Box houses a ni-hard deflector plate to direct the material below. The Terminal Box is sized to match the convey pipeline diameter, and it is connected with a standard #150 ANSI flange pattern. The removable lid allows easy maintenance access to the deflector plate.

- Standard material A516Gd70 carbon steel
- Available in 304/316 stainless steel, aluminum, galvanized, and others
- Food grade, FDA, and pharmaceutical finishes
- Industrial coatings such as Teflon®, tungsten carbide, nickel, and others
- Fully assembled and tested prior to shipment
- Manufactured in Maryville, TN USA
- Global customer support for service and spare parts
- ISO 9001:2015 Certified

UK – Mactenn Systems, Ltd.

India – Macawber Engineering Systems India, Ltd. Pvt.

China – Macawber China



| PIPE SIZE | DIMENSIONS (INCH) | | | | | | | NET WT (LBS) |
|-----------|-------------------|----------|----------|-----------|----------|-----------|-----------|--------------|
| | A | B | C | D | E | F | G | |
| 2" | 12-7/16" | 1-1/16" | 3-15/16" | 7-3/8" | 9-15/16" | 9-5/16" | 9-5/16" | 58 |
| 3" | 15-3/4" | 1-1/8" | 4-13/16" | 9-1/16" | 11-9/16" | 12-3/8" | 12-3/8" | 117 |
| 4" | 15-3/4" | 1-7/8" | 5" | 9-1/16" | 11-9/16" | 12-3/8" | 12-3/8" | 123 |
| 5" | 19-5/8" | 1-1/4" | 6" | 11-1/2" | 14" | 13-11/16" | 13-11/16" | 194 |
| 6" | 28-3/8" | 1-11/16" | 8-3/16" | 14" | 17-3/16" | 18-5/16" | 18-9/16" | 344 |
| 8" | 30-1/2" | 1-1/2" | 9-1/16" | 16-5/16" | 19-5/8" | 19-1/4" | 19-1/2" | 389 |
| 10" | 32-11/16" | 3-1/2" | 9-1/4" | 17-13/16" | 21-3/16" | 24-13/16" | 24-13/16" | 443 |
| 12" | 45-13/16" | 2-11/16" | 13-9/16" | 23-3/4" | 27-5/16" | 29-11/16" | 29-11/16" | 510 |

INFORMATION NOT CERTIFIED FOR INSTALLATION PURPOSES

UK – Mactenn Systems, Ltd.
 India – Macawber Engineering Systems India, Ltd. Pvt.
 China – Macawber China