



Extreme Reliability for Severe  
Applications

Minimal Maintenance

Decreased Downtime

Seamless Integration

Fully Customizable

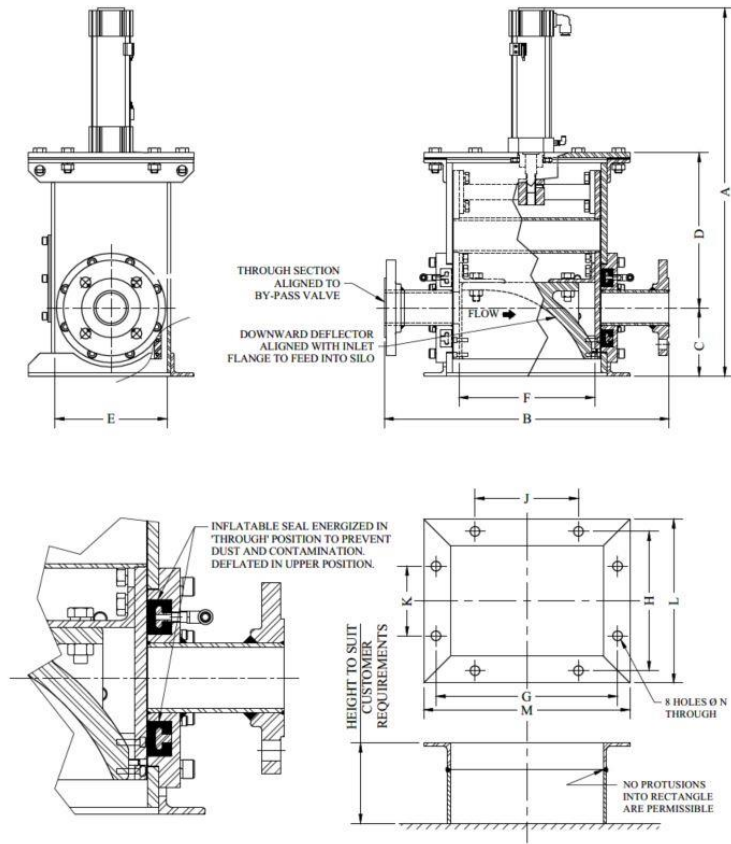
The Macawber Dump Valve® is a specialty diverter valve to distribute material to multiple reception points. Unlike conventional diverter valves that use converging or diverging branch in the convey line, the Dump Valve® is affixed to the top structure of the storage bin to which material is being conveyed. The rectangular housing includes a through tube and ni-hard deflector plate, similar to what is utilized in Macawber Terminal Boxes. In the up position, the deflector plate directs material downward into the storage structure thus terminating the convey sequence. In the down position, the pipe section is aligned with both inlet and outlet ports to allow material to continue downstream to the next reception point. Inflatable seals are deployed in each end of the pipe section to prevent material leakage and pressure drop. Correct valve position is confirmed with proximity sensors. The inflatable seal is located externally reducing maintenance and down time. The operation of the Dump Valve is controlled by the system's primary PLC panel

- Designs available from 2 inch to 12 inches
- Standard material carbon steel with a ni-hard deflector
- Available in 304/316 stainless steel, aluminum, galvanized, and others
- Food grade, FDA, and pharmaceutical finishes
- Industrial coatings such as Teflon®, tungsten carbide, nickel, and others where applicable
- Elastomer options neoprene, silicone, Viton, EPDM, FDA rubber
- Fully assembled and tested prior to shipment
- Manufactured in Maryville, TN USA
- Global customer support for service and spare parts
- ISO 9001:2015 Quality Assured

UK – Mactenn Systems, Ltd.

India – Macawber Engineering Systems India, Ltd. Pvt.

China – Macawber China



MODEL (PIPE SIZE)	DIMENSIONS (INCH)													NET WT (LBS)
	A	B	C	D	E	F	G	H	J	K	L	M	N (DIA)	
2"	25 1/16"	19 11/16"	4 5/8"	10 9/16"	7 5/8"	10 1/2"	12 1/2"	9 3/4"	8 11/16"	4 5/16"	11 5/16"	14 1/8"	9/16"	137
3"	29 3/4"	22 5/8"	5 1/16"	12 13/16"	8 7/8"	12 9/16"	14 13/16"	11 5/16"	4 15/16"	3 3/4"	13 5/16"	16 13/16"	1/2"	209
4"	29 3/4"	22 5/8"	5 1/16"	12 13/16"	8 7/8"	12 9/16"	14 13/16"	11 5/16"	4 15/16"	3 3/4"	13 5/16"	16 13/16"	1/2"	262
5"	40 7/16"	26 9/16"	6"	17 5/8"	11 7/16"	16 5/16"	19"	14 3/16"	4 15/16"	9 13/16"	15 13/16"	20 11/16"	11/16"	307
6"	43"	33 7/8"	8 3/16"	18 7/16"	13"	23 1/16"	27"	17 3/16"	10 1/4"	5 1/8"	19 1/2"	29 3/8"	11/16"	639
8"	50 11/16"	37 11/16"	9 1/16"	22 1/2"	14"	25 3/8"	29 1/2"	18 5/16"	5 7/8"	6 1/8"	20 1/2"	31 7/8"	11/16"	870
10"	58 7/8"	39 11/16"	9 1/4"	27 5/16"	17 11/16"	25 13/16"	30 5/16"	22 7/16"	6 1/16"	7 1/2"	24 13/16"	32 11/16"	11/16"	1350
12"	73 13/16"	51 3/16"	13 9/16"	34 3/8"	20 7/8"	37 5/16"	42 1/8"	26"	8 7/16"	8 11/16"	29 11/16"	45 13/16"	7/8"	1465

**INFORMATION NOT CERTIFIED FOR INSTALLATION PURPOSES**

UK – Mactenn Systems, Ltd.

India – Macawber Engineering Systems India, Ltd. Pvt.

China – Macawber China