



Extreme Reliability for Severe Applications

Minimal Maintenance

Decreased Downtime

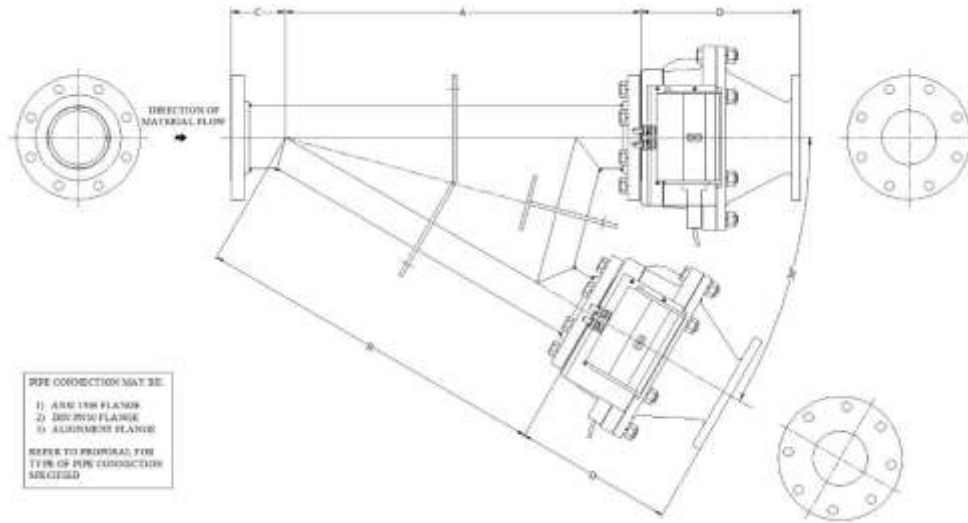
Seamless Integration

Fully Customizable

The DV Switch Valve is used to form two branches in a single conveying line. It is self-supporting and may be mounted in vertical, horizontal, or intermediate positions. Its design utilizes Macawber proprietary Dome Valves® which are specifically designed to operate reliably in harsh applications, under pressure differential or where the material to be conveyed is hot. It is capable of closing through a column of material and achieving a pressure tight seal. Due to its unique design, it is virtually maintenance free and durable for long life.

- Temperature rating up to < 1000°F (537°C)
- Pressure rating up to 620psig (43barg)
- Designs available from 1 inch to 30 inches
- Standard material A278 cast iron
- Available in 304/316 stainless steel, aluminum, galvanized, and others
- Food grade, FDA, and pharmaceutical finishes
- Industrial coatings such as Teflon®, tungsten carbide, nickel, and others
- Elastomer options neoprene, silicone, Viton, EPDM, FDA rubber
- Fully assembled and tested prior to shipment
- Manufactured in Maryville, TN USA
- Global customer support for service and spare parts
- ISO 9001:2015 Certified

UK – Macawber UK Ltd.
 India – Macawber Engineering Systems India, Ltd. Pvt.



MODEL (PIPE SIZE)	DIMENSIONS (INCH)				NET WT (LBS)
	A	B	C	D	
2"	18 7/8"	18 7/8"	4 1/16"	11 5/16"	200
3"	25 1/8"	25 1/8"	3 15/16"	15 9/16"	210
4"	25 11/16"	25 11/16"	3 15/16"	11 1/2"	285
5"	29 7/16"	28 7/16"	5 15/16"	17 1/16"	475
6"	44 1/4"	47 1/4"	6"	15 1/8"	625
8"	45 1/2"	45 1/2"	8"	17 1/4"	885

INFORMATION NOT CERTIFIED FOR INSTALLATION PURPOSES

UK – Macawber UK Ltd.
 India – Macawber Engineering Systems India, Ltd. Pvt.