



Extreme Reliability for Severe  
Applications

Minimal Maintenance

Decreased Downtime

Seamless Integration

Fully Customizable

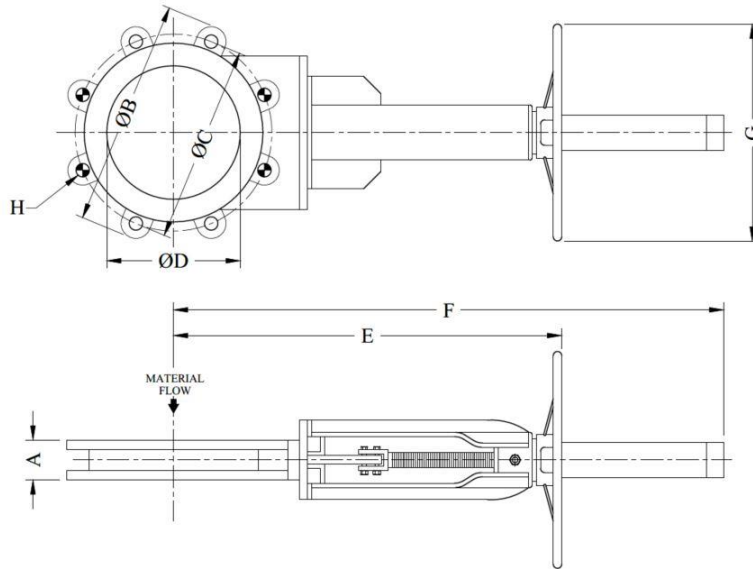
The Manually Operated Isolating Valve is a purpose design gate valve installed above the Denseveyor® to allow maintenance access to the Dome Valve® or pressure vessel. The valve is designed with a reliable gland seal to prevent leakage of fine material when in the normally open position. The manually operated version is equipped with a convenient handwheel which may be removed to prevent unauthorized closure when the Denseveyor® is in service.

- Model 940 VAAS Knife Gate Valve
- 150 CWP
- Full-Lug Body
- 304SS Body
- 304SS Gate
- 304SS Stem
- PTFE Packing
- Integral Seat
- Unidirectional
- Fully assembled and tested prior to shipment
- Global customer support for service and spare parts
- ISO 9001:2015 Certified

UK – Mactenn Systems, Ltd.

India – Macawber Engineering Systems India, Ltd. Pvt.

China – Macawber China



MODEL (PIPE SIZE)	DIMENSIONS									WT
	A	B	C	D	(NO. HOLES)	HOLE SZ.	E	F	G	
2"	1 7/8"	6"	4 3/4"	2"	4	5/8"	12 5/8"	14 7/8"	8"	20
3"	2"	7 1/2"	6"	3"	4	5/8"	14 1/2"	17 3/4"	8"	29
4"	2"	9"	7 1/2"	4"	8	5/8"	16 1/2"	20 5/8"	8"	38
6"	2 1/4"	11"	9 1/2"	6"	8	3/4"	19 3/4"	26"	12"	52
8"	2 3/4"	13 1/2"	11 3/4"	8"	8	3/4"	24 1/4"	32 3/4"	12"	85
10"	2 3/4"	16"	14 1/4"	10"	12	7/8"	29 1/2"	39 5/8"	15"	120
12"	3"	19"	19"	12"	12	7/8"	33 1/8"	45 1/2"	15"	160
14"	3"	21"	18 3/4"	13 5/8"	12	1"	37 1/2"	51 1/8"	15"	250
16"	3 1/2"	23 1/2"	21 1/4"	15 1/2"	16	1"	42 1/2"	58 3/8"	20"	300
18"	3 1/2"	25"	22 3/4"	17 1/2"	16	1 1/8"	47 1/2"	65 1/2"	20"	403
20"	4 1/2"	27 1/2"	25"	19 1/2"	20	1 1/8"	71 1/2"	91 1/4"	20"	495
24"	4 1/2"	32"	29 1/2"	23 3/8"	20	1 1/4"	86 1/2"	111"	30"	666

**INFORMATION NOT CERTIFIED FOR INSTALLATION PURPOSES**

UK – Mactenn Systems, Ltd.  
 India – Macawber Engineering Systems India, Ltd. Pvt.  
 China – Macawber China