



Extreme Reliability for Severe
Applications

Minimal Maintenance

Decreased Downtime

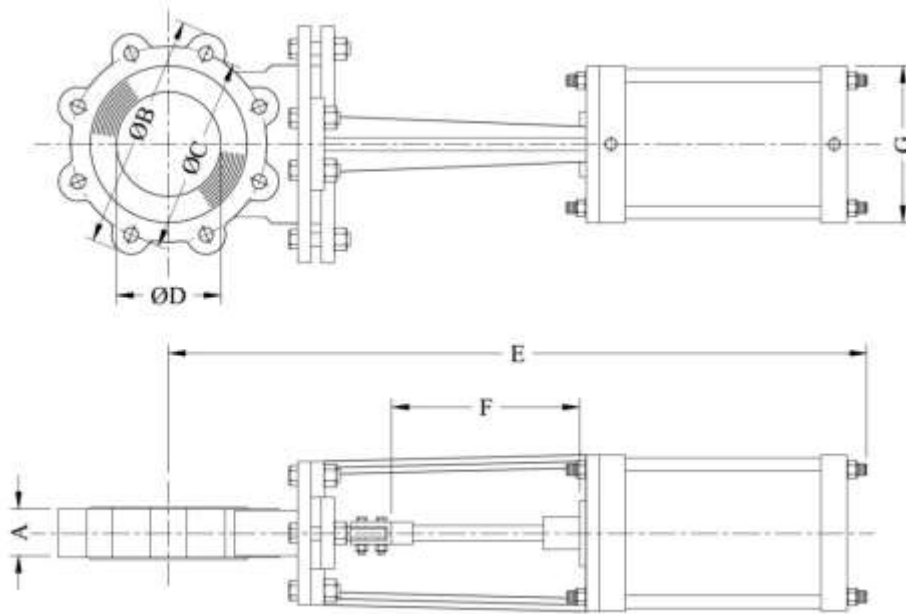
Seamless Integration

Fully Customizable

The Power Operated Isolating Valve is a purpose design gate valve installed above the Denseveyor® to allow maintenance access to the Dome Valve® or pressure vessel. The valve is designed with a reliable gland seal to prevent leakage of fine material when in the normally open position. The power operated version is driven by a heavy-duty air cylinder with adequate capacity to provide larger closing loads for operation of the valve through a static head of bulk material.

- Model 940 VAAS Knife Gate Valve
- 150 CWP
- Full-Lug Body
- 304SS Body
- 304SS Gate
- 304SS Stem
- PTFE Packing
- Integral Seat
- Unidirectional
- Fully assembled and tested prior to shipment
- Global customer support for service and spare parts
- ISO 9001:2015 Certified

UK – Macawber UK Ltd.
 India – Macawber Engineering Systems India, Ltd. Pvt.



MODEL (PIPE SIZE)	DIMENSIONS								
	A	B	C	D	(# HOLES)	HOLE SZ.	E	F	G
3"	2"	7 1/2"	6"	3"	4	5/8" 11UNC	20 15/16"	3 3/16"	4 1/2"
4"	2"	9"	7 1/2"	4"	8	5/8" 11UNC	23 11/16"	4 3/16"	5 1/2"
6"	2 1/4"	11"	9 1/2"	6"	8	3/4" 10UNC	29 5/16"	6 3/16"	6 1/2"
8"	2 3/4"	13 1/2"	11 3/4"	8"	8	3/4" 10 UNC	35 13/16"	8 3/16"	7 1/2"
10"	2 3/4"	16"	14 1/4"	10"	12	7/8" 9UNC	43 5/16"	10 3/16"	8 1/2"
12"	3"	19"	17"	12"	12	7/8" 9UNC	49 3/8"	12 3/16"	10 5/8"
14"	3"	21"	18 3/4"	13 1/2"	12	1" 8UNC	53 15/16"	13 1/4"	12 3/4"
16"	3 1/2"	23 1/2"	21 1/4"	15 1/2"	16	1" 8UNC	62 1/8"	15 1/4"	14 3/4"
18"	3 1/2"	25"	22 3/4"	17 1/4"	16	1 1/8" 7UNC	68 1/2"	17 1/4"	17"
20"	4 1/2"	27 1/2"	25"	19 1/4"	20	1 1/8" 7UNC	75 3/4"	19 1/4"	19"
24"	4 1/2"	32"	29 1/2"	23 1/4"	20	1 1/4" 7UNC	88 5/16"	23 1/4"	21"

INFORMATION NOT CERTIFIED FOR INSTALLATION PURPOSES

UK – Macawber UK Ltd.
 India – Macawber Engineering Systems India, Ltd. Pvt.